

**400 MHz TETRA
MACRO REPEATER**

- **4 W RF OUTPUT POWER**
- **HIGH DYNAMIC RANGE**
- **LOW POWER CONSUMPTION**
- **COMPACT SIZE**

This repeater is intended for use in 400 MHz outdoor TETRA systems. It is a compact and reliable unit and it is especially advantageous to use it in villages, or open fields where the field strength is weak. It is a cost effective solution to cover areas, which cannot be covered economically by base stations. It is a very economical solution, can be installed easily, can be monitored and set by remote control software.

Electrical characteristics:

Frequency Band Downlink	390 – 395 MHz*
Frequency Band Uplink	380 – 385 MHz*
Operator Frequency Bandwidth	5 MHz
Mode of Operation	band selective duplex
Max. ALC level	36 dBm @ downlink / 33 dBm @ uplink
Linear Output Power (Uplink and Downlink)	+36 dBm downlink / +24 dBm uplink typ.
ICP3	+68 dBm @ downlink / +50 dBm @ uplink
ACPR	60 dB @ 36 dBm downlink and 24 dBm uplink
Nominal Gain	90 dB
Gain Setting	90 to 60 dB in 1 dB steps
Gain Stability	< ± 1.5 dB (within oper. temp. range)
Input Noise Figure	4,5 dB typ. @ max gain
EVM	< 1% typ. (ETSI regulation < 10%)
Harmonics	According to the ETSI regulation
Spurious Radiation	According to the ETSI regulation
Local Leakage	According to the ETSI regulation
RF Connectors	N – female
Supply Voltage	100 - 240 VAC / 50 – 60Hz (optional 48 VDC)
Power Consumption	100 W
Weight	25 kg
Operating temperature range	0°C to + 40°C (optional -20°C to 55°C)
Cooling	Convection or optional fan
Wired Control	Local RS232 or Ethernet connection
Remote Wireless Control	Dial Up GSM modem and/or automatic SMS function
Application	In- or outdoor IP65
Dimension	420 x 400 x 175 mm

Specifications are subject to change without notice.

*available in any other standard TETRA bands too.



Телефон: +7 (499) 685-4444
info@4test.ru
www.4test.ru

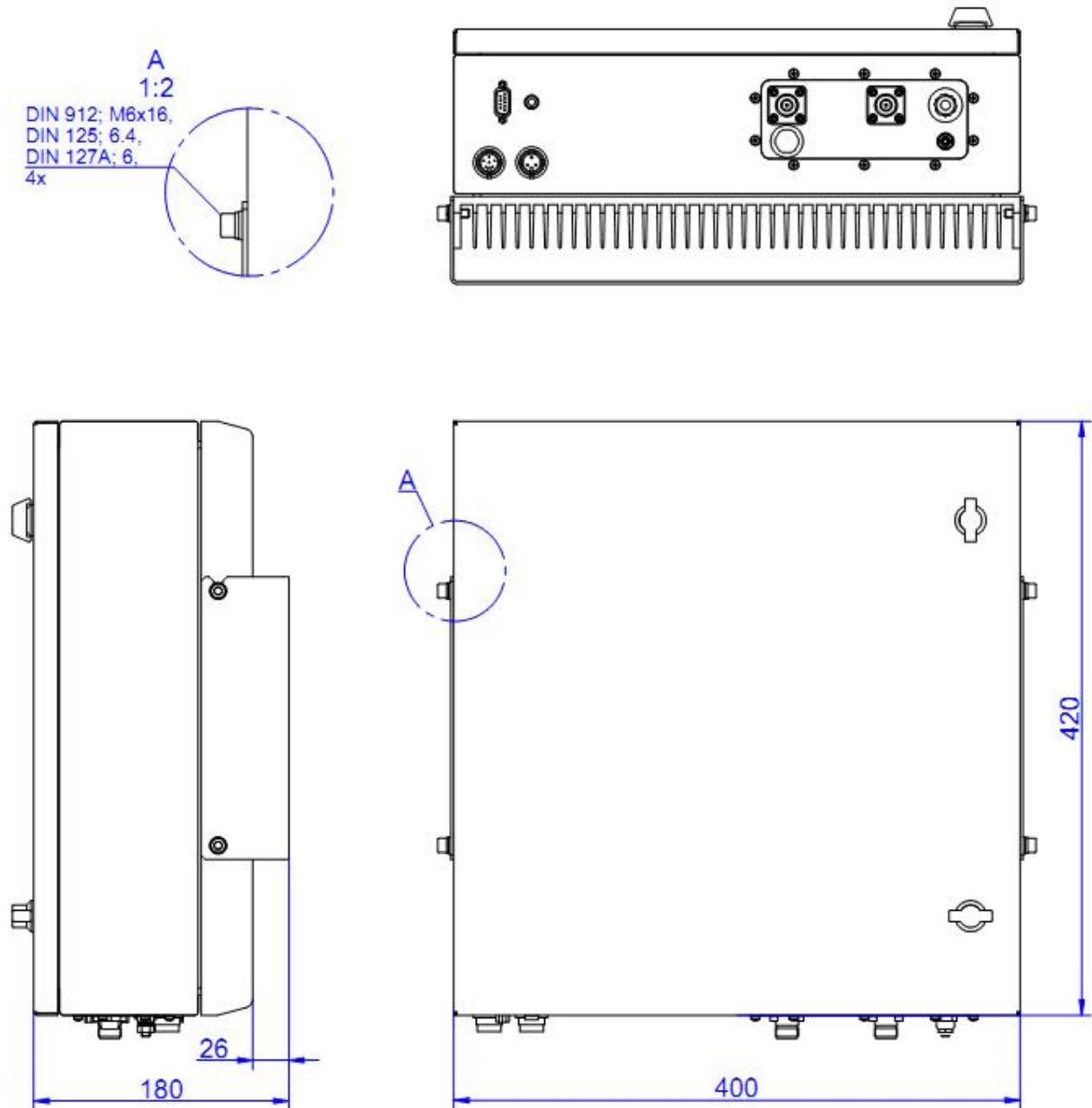




BRTL32

400 MHz TETRA MACRO REPEATER

Outline dimensions (mm):



Optional in 19" rack



BRTL32

**400 MHz TETRA
MACRO REPEATER**

Picture:



4TECT

ООО «4TECT»

Телефон: +7 (499) 685-4444

info@4test.ru

www.4test.ru

